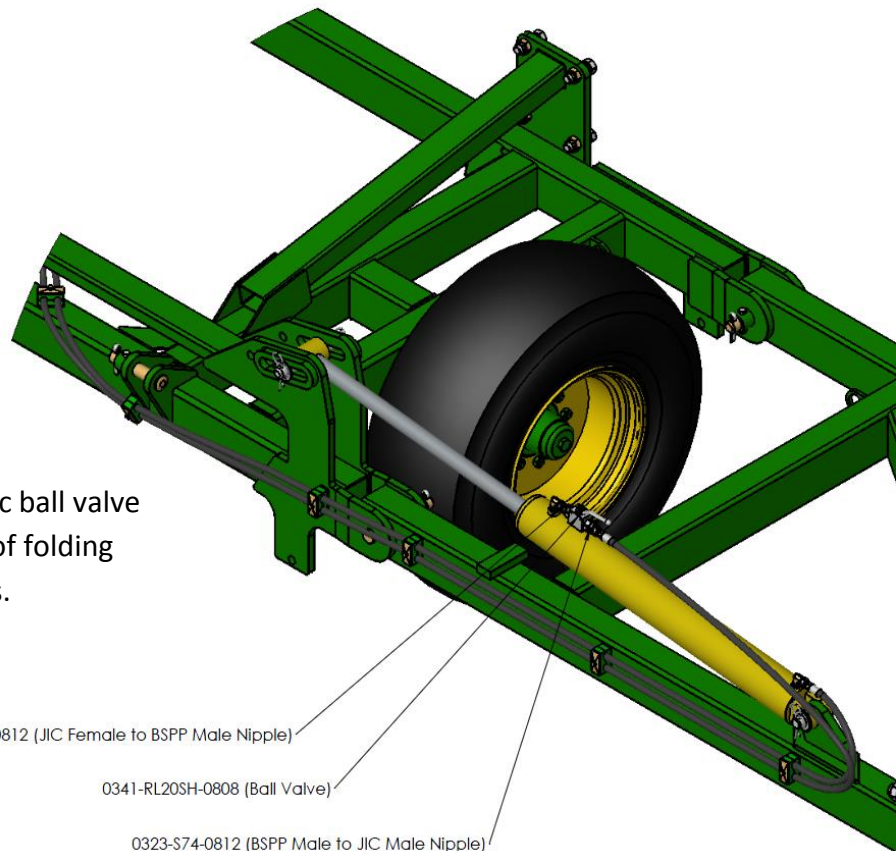


Remove and discard wing lock linkage and wing lock pin from both sides of the machine



Replace with hydraulic ball valve attached to rod port of folding cylinder on both sides.

0323-S71-0812 (JIC Female to BSPP Male Nipple)

0341-RL20SH-0808 (Ball Valve)

0323-S74-0812 (BSPP Male to JIC Male Nipple)